

JOB NAME \_\_\_\_\_

CONTACT \_\_\_\_\_

ORDERING CODE \_\_\_\_\_

## COBRA FLEX

Flexible Cove  
Static White

formalighting  
COLLECTION



CF1-3



S Curve - 15 link

### DESCRIPTION

COBRA Linear is a surface mounted modular system in extruded aluminum and black finish. It is segmented with two 330 lm LED segments for flexible radius of 24° max. COBRA is offered in 2 different lengths of 15 segments and 3 segments. They are hard connected for durability and consistency to maintain a 1.18" pitch between the LEDs. COBRA has integrated magnets for easy install. Offered in several CCTs at 90CRI. Ideal for indirect cove illumination, to create a wall grazing effect for columns and curved architectonic surfaces. Mounting accessories included. Optional glare shield, honeycomb louver and color filters are offered. COBRA carries the first 5 Year FIXTURE WARRANTY.

### HOUSING

- Anodized extruded aluminum
- Consult factory for custom finishes and lengths

### MOUNTING

- Surface mount with U-clips, included.

### ELECTRICAL/CONTROLS

- 3 Link and 15 Link at max. 1050mA
- 3 Link - 6-7/8", 9Vdc, 10W
- 15 Link - 35-3/16", 44Vdc, 46W
- Remote class 2 power supply required
- Maximum 15 Link run per 50W driver
- Series shunt bypass ensures remaining operate if single link failure

### LISTING

- cULus Listed to UL2108

### LED INFO

- Nichia NVSL219CT SMD LED: 90 CRI: SDCM = 3-step MacAdam Ellipse, Lumen Maintenance: L<sub>70</sub> > 50,000 hrs

### ORDERING CODE

LM-79

SERIES	COBRA	cove light
TYPE	CF1 CF1-L	cobra flex, standard cobra flex, louver
LED	SW	static white
SIZE	3 15	3 link, 6-7/8", 990 lm delivered 15 link, 35-3/16", 4950 lm delivered <small>For additional lumen packages, see last page.</small>
CCT	27K 30K 35K 40K 50K	2700K 3000K 3500K 4000K 5000K
CRI	90	90 CRI
LENS OPTION	10D 17D 29D WW 15X50E	10° lens, CBCP 4,400 per link (2X LED) 17° lens, CBCP 1,820 per link (2X LED) 29° lens, CBCP 475 per link (2X LED) wall wash, CBCP 185 per link (2X LED) 15° x 50° elliptical lens, CBCP 1060 per link (2X LED)
FINISH	BK WH GD BS	black white gold polished brass
MOUNTING OPTIONS	S	surface mount
ACCESSORIES	See page 3 for details.	
DIMMING	See last page for details.	

### ORDERING CODE

Follow the steps to specify your fixture, example:  
COBRA - CF1 - SW - 3 - 27K - 90 - 10D - BK - S

### SW (LED)

COBRA	DELIVERED LUMENS		VOLTAGE	LED POWER	SYSTEM POWER	
NO. LINKS	CURRENT MA	LUMENS (3000K)	VDC	W (90 CRI)	W (90 CRI)	
	1050	990	9	10	13	
	3 LINK	700	690	9	7	9
		500	480	9	5	7
15 LINK	350	360	8	3	5	
	1050	4950	44	46	53	
	700	3450	43	31	35	
	500	2400	42	22	25	
	350	1800	42	15	18	

Power Factor ≥ 0.9

### RELATED PRODUCTS

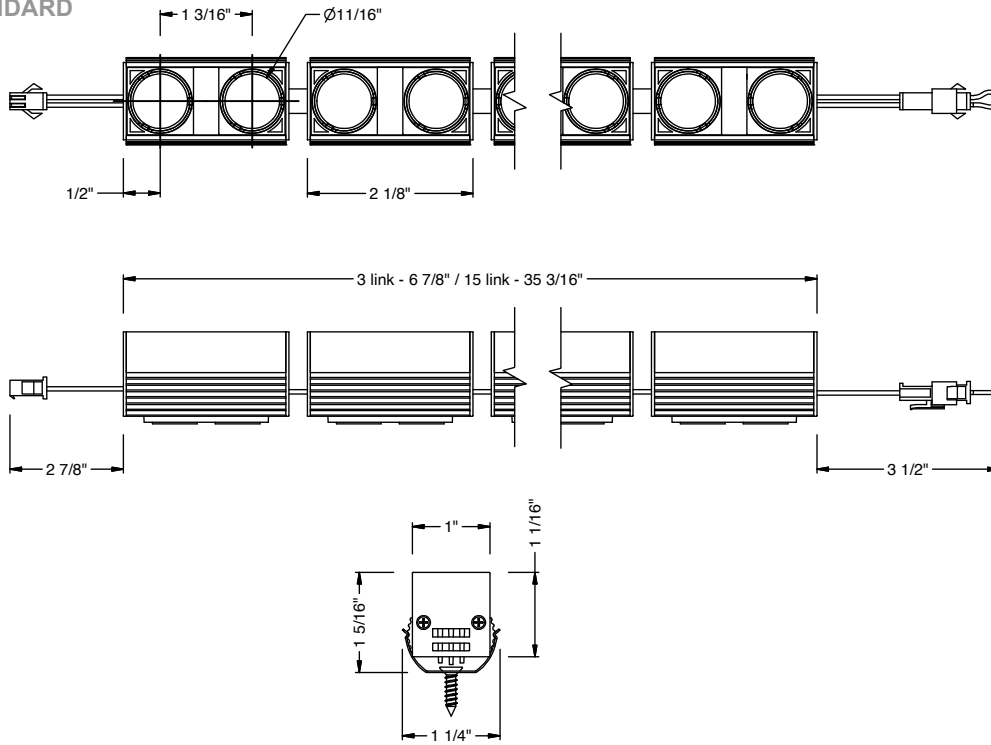


Cobra Linealuce - Rigid Cove

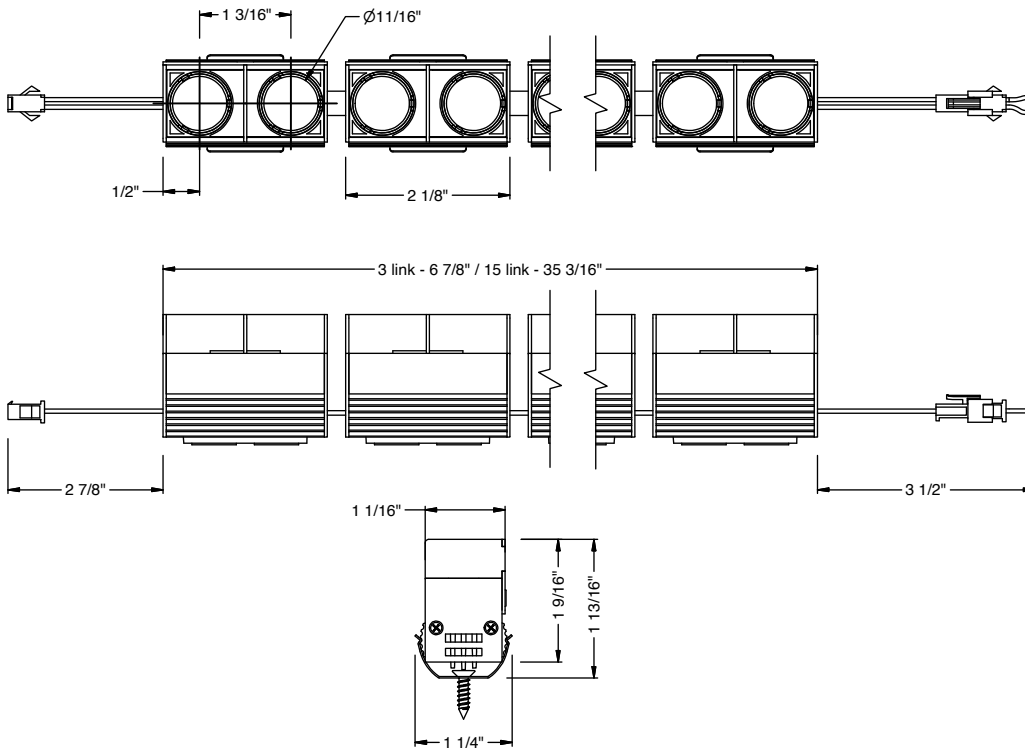
Note:  
Used as straight runs for Cobra Flex. See Cobra Linealuce spec sheet

## PRODUCT DIMENSIONS

### CF1 - STANDARD

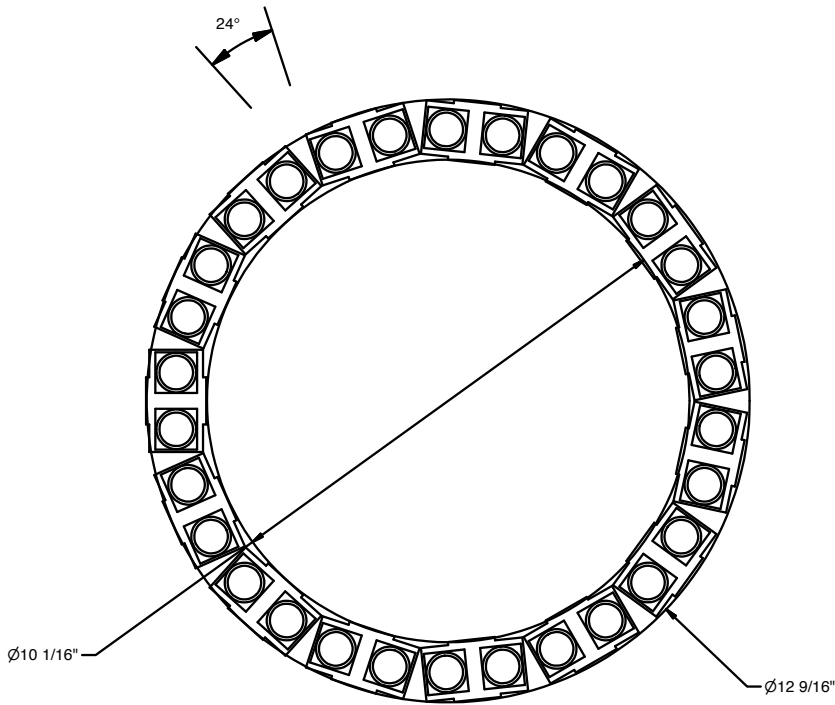


### CF1 - LOUVER



## PRODUCT DIMENSIONS (CONTINUED)

### CURVED RADIUS FOR CF1 - 15

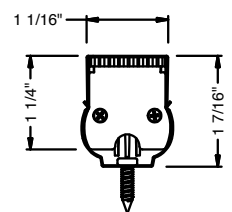


## ACCESSORIES

<b>COBRA-HCL3</b>	honeycomb louver
<b>COBRA-CF-BL1,3</b>	color filter, blue
<b>COBRA-CF-RD1,3</b>	color filter, red
<b>COBRA-CF-GR1,3</b>	color filter, green
<b>COBRA-CF-AM1,3</b>	color filter, amber
<b>COBRA-EXT-HARNESS</b>	39" extension harness, cobra to driver
<b>COBRA-EXT-HARNESS-78</b>	78" extension harness, cobra to driver
<b>COBRA-EXT-HARNESS-157</b>	157" extension harness, cobra to driver
<b>COBRA-DRIVER-HARNESS</b>	12" driver harness, included with driver
<b>COBRA-UCLIP2</b>	mounting U-clip (included)
<b>COBRA-SCREW2</b>	screw for U-clip (included)

### NOTES

1. Consult factory for additional color filters.
2. Mounting accessories are only for additional or spare circumstances.
3. All Cobras include adequate quantity of mounting components.
3. Must order one per link.



Honeycomb and Color Filter

## REMOTE DRIVER - 0-10V ORDERING CODE

<b>PART NUMBER</b>	<b>P70414-COBRA</b>	LED driver with box and harness
<b>DIMMING</b>	<b>ECO SOLO</b>	1% 0.1%
<b>ELECTRICAL OPTIONS</b>	<b>350 500 700 1050</b>	350mA, 620 lm / ft 500mA, 830 lm / ft 700mA, 1190 lm / ft 1050mA, 1700 lm / ft

### ORDERING CODE

Follow the steps to specify your fixture, example:  
**P70414 - COBRA - ECO - 1050**

#### MAXIMUM WIRING DISTANCE FROM DRIVER TO FIRST COBRA AT FULL LOAD

AWG VALUE	DISTANCE (FT)
20	46
18	72
17	92
16	118

### DESCRIPTION

- 0-10V dimmable protocol LED drive with smooth flicker free dimming
- Remote mounting distance up to 46' (20AWG), 72' (18AWG) to LED load
- Four programmable currents for various lumen offerings
- For custom drive currents consult factory

### ELECTRICAL/CONTROLS

- 120-277Vac, 50/60Hz input
- 50W max output
- 2-55Vdc output per channel
- ECO 1% dimming - 1 channel output
- Solo 0.1% dimming - 2 channel output
- 0-10V compatible
- Operating temperature: -4°F to 122°F
- Class II rated
- Suitable for use in damp and dry locations
- Short circuit protection
- Overload protection
- Over-voltage protection
- Thermal protection
- Box: Length = 9", Width = 4", Height = 1-3/8"
- Driver: Length = 5-1/8", Width = 3", Height = 1-1/8"

## REMOTE DRIVER - DALI ORDERING CODE

<b>PART NUMBER</b>	<b>P70469-COBRA</b>	LED driver with box and harness
<b>DIMMING</b>	<b>DALIZ</b>	eldoLED flicker free DALI dimming to 0%
<b>ELECTRICAL OPTIONS</b>	<b>350 500 700 1050</b>	350mA, 620 lm / ft 500mA, 830 lm / ft 700mA, 1190 lm / ft 1050mA, 1700 lm / ft

### ORDERING CODE

Follow the steps to specify your fixture, example:  
**P70469 - COBRA - DALIZ - 1050**

#### MAXIMUM WIRING DISTANCE FROM DRIVER TO FIRST COBRA AT FULL LOAD

AWG VALUE	DISTANCE (FT)
20	46
18	72
17	92
16	118

### DESCRIPTION

- DALI - DT6 dimmable protocol LED drive with smooth flicker free dimming
- Remote mounting distance up to 46' (20AWG), 72' (18AWG) to LED load
- Four programmable currents for various lumen offerings
- For custom drive currents consult factory

### ELECTRICAL/CONTROLS

- 120-277Vac, 50/60Hz input
- 50W max output
- 2-55Vdc output per channel
- DALI compatible
- Operating temperature: -4°F to 122°F
- Class II rated
- Suitable for use in damp and dry locations
- Short circuit protection
- Overload protection
- Over-voltage protection
- Thermal protection
- Box: Length = 9", Width = 4", Height = 1-3/8"
- Driver: Length = 5-1/8", Width = 3", Height = 1-1/8"

## REMOTE DRIVER - DMX ORDERING CODE

<b>PART NUMBER</b>	<b>P70772-COBRA</b>	LED driver with box and harness
<b>DIMMING</b>	<b>DMXZ</b>	DMX dim to zero
<b>ELECTRICAL OPTIONS</b>	<b>350 500 700 1050</b>	350mA, 620 lm / ft 500mA, 830 lm / ft 700mA, 1190 lm / ft 1050mA, 1700 lm / ft

### ORDERING CODE

Follow the steps to specify your fixture, example:  
**P70772 - COBRA - DMXZ - 1050**

#### MAXIMUM WIRING DISTANCE FROM DRIVER TO FIRST COBRA AT FULL LOAD

AWG VALUE	DISTANCE (FT)
20	46
18	72
17	92
16	118

### DESCRIPTION

- DMX dimmable protocol LED drive with smooth flicker free dimming
- Remote mounting distance up to 46' (20AWG), 72' (18AWG) to LED load
- Four programmable currents for various lumen offerings
- For custom drive currents consult factory

### ELECTRICAL/CONTROLS

- 120-277Vac, 50/60Hz input
- 50W max output
- 8-55Vdc output per channel
- Isolated dimming circuit
- DMX compatible
- Operating temperature: -13°F to 122°F
- Class II rated
- Suitable for use in damp and dry locations
- Short circuit protection
- Overload protection
- Over-voltage protection
- Thermal protection
- Box: Length = 9", Width = 4", Height = 1-3/8"
- Driver: Length = 5-1/8", Width = 3", Height = 1-1/8"

## REMOTE DRIVER - CASAMBI ORDERING CODE

<b>PART NUMBER</b>	<b>P70414-COBRA</b>	LED driver with box and harness
<b>DIMMING</b>	<b>CASZ</b>	Casambi Bluetooth dim to zero
<b>ELECTRICAL OPTIONS</b>	<b>350</b> <b>500</b> <b>700</b> <b>1050</b>	350mA, 620 lm / ft 500mA, 830 lm / ft 700mA, 1190 lm / ft 1050mA, 1700 lm / ft

### ORDERING CODE

Follow the steps to specify your fixture, example:  
**P70414 - COBRA - CASZ - 1050**

#### MAXIMUM WIRING DISTANCE FROM DRIVER TO FIRST COBRA AT FULL LOAD

AWG VALUE	DISTANCE (FT)
20	46
18	72
17	92
16	118

### DESCRIPTION

- Casambi dimmable protocol LED drive with smooth flicker free dimming
- Remote mounting distance up to 46' (20AWG), 72' (18AWG) to LED load
- Four programmable currents for various lumen offerings
- For custom drive currents consult factory

### ELECTRICAL/CONTROLS

- 120-277Vac, 50/60Hz input
- 50W max output
- 2-55Vdc output per channel
- Isolated dimming circuit
- Operating temperature: -4°F to 122°F
- Class II rated
- Suitable for use in damp and dry locations
- Short circuit protection
- Overload protection
- Over-voltage protection
- Thermal protection
- Box: Length = 9", Width = 4", Height = 1-3/8"
- Driver: Length = 5-1/8", Width = 3", Height = 1-1/8"

## REMOTE DRIVER -nLIGHT ORDERING CODE

<b>PART NUMBER</b>	<b>P70414-COBRA</b>	LED driver with box and harness
<b>DIMMING</b>	<b>NLT</b>	nLight control interface: standard Cat-5/RJ45 connection (female), dimming to 0%
<b>ELECTRICAL OPTIONS</b>	<b>350</b> <b>500</b> <b>700</b> <b>1050</b>	350mA, 620 lm / ft 500mA, 830 lm / ft 700mA, 1190 lm / ft 1050mA, 1700 lm / ft

### ORDERING CODE

Follow the steps to specify your fixture, example:  
**P70414 - COBRA - NLT - 1050**

#### MAXIMUM WIRING DISTANCE FROM DRIVER TO FIRST COBRA AT FULL LOAD

AWG VALUE	DISTANCE (FT)
20	46
18	72
17	92
16	118

### DESCRIPTION

- nLight dimmable protocol LED drive with smooth flicker free dimming
- Remote mounting distance up to 46' (20AWG), 72' (18AWG) to LED load
- Four programmable currents for various lumen offerings
- For custom drive currents consult factory

### ELECTRICAL/CONTROLS

- 120-277Vac, 50/60Hz input
- 50W max output
- 2-55Vdc output per channel
- Operating temperature: -4°F to 122°F
- Class II rated
- Suitable for use in damp and dry locations
- Short circuit protection
- Over-voltage protection
- Thermal protection
- Box: Length = 9", Width = 4", Height = 1-3/8"
- Driver: Length = 5-1/8", Width = 3", Height = 1-1/8"

## REMOTE DRIVER

